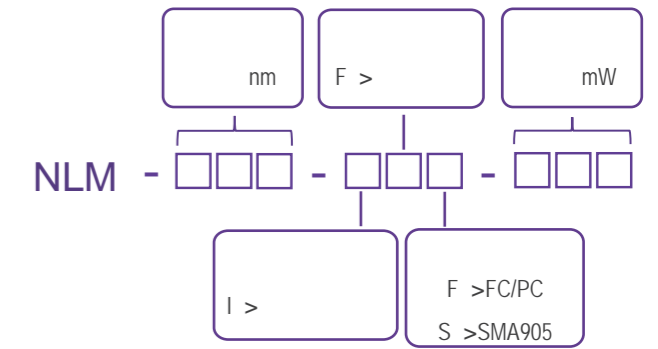


NLM

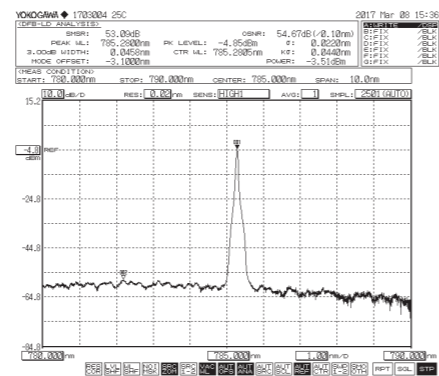
NLM RealStable®



<0.1nm
±7pm@4h (温度漂移<±0.1)

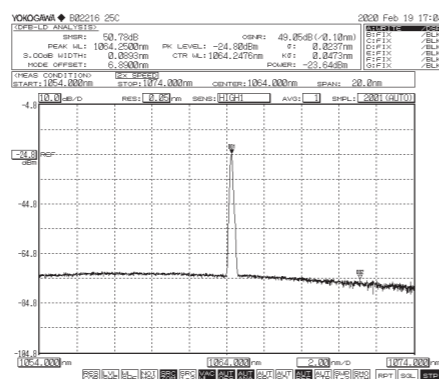
TEC ±2%

nm



785nm

>40dB



1064nm

>40dB

